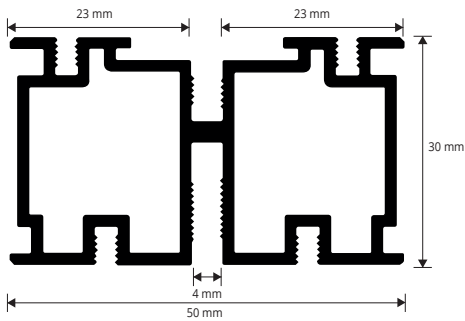


PRORAIL SYSTEM

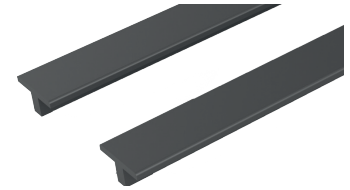
PRORAIL SYSTEM is a modular system composed of aluminium joists to lay floating floors of any size, to create steady and modular substructures together with PROSUPPORT TUBE and PROSUPPORT SLIM. The system consists of two aluminium joists, PRORAIL and PRORAIL RET, one fastening ring PRORAIL RING, two cross spacers with removable flaps PRORAIL SPACER and one anti-noise and anti-slip rubber PRORAIL RUBBER

PRORAIL
PSTRAN 53



PRORAIL - SHAPED JOIST
aluminium - Pack 10 Pcs - Bar length 2,7 Lm

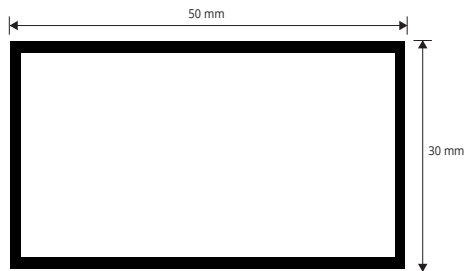
Article	L x H (mm)	Pc/Pack		
PSTRAN 53	50 X 30	10		



PRORAIL RUBBER
Roll length 110 Lm

Article	L roll ml		
PSTRI	110		

PRORAIL RET
PSTRAN 5030



PRORAIL RET - SMOOTH JOIST
aluminium - Pack 10 Pcs - Bar length 2,7 Lm

Article	L x H (mm)	Pc/Pack		
PSTRAN 5030	50 X 30	10		



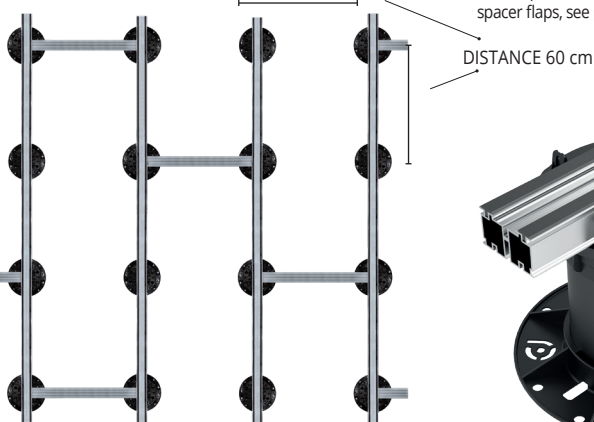
PRORAIL RING - JOIST FASTENING RING
polypropylene - Pack 40 Pcs

Article	Ø mm	Pc/Pack		
PSTRR	135	40		

PRORAIL SYSTEM LAYING PATTERN

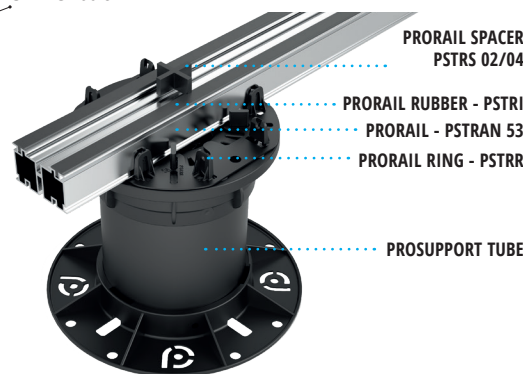
Material required for 1 qm of the below pattern:

- 3 pcs PROSUPPORT TUBE/PROSUPPORT TUBE SLIM
- 3 pcs fastening rings PRORAIL RING
- 2.7 Lm PRORAIL joist
- 4 Lm PRORAIL RUBBER



TECHINCAL LAYING INSTRUCTIONS

1. Choose the support PROSUPPORT TUBE or PROSUPPORT SLIM of the required height;
2. Set the fastening ring PRORAIL RING on the supports;
3. Set the joist PRORAIL (*) or the joist PRORAIL RET on the ring;
4. Insert the rubber PRORAIL RUBBER inside the grooves of the joist PRORAIL;
5. Set the cross spacers PRORAIL SPACER following the laying pattern; (*) It is possible to fix the joist PRORAIL on the supports fixing it into the spacer flaps, see picture hereunder.



PRORAIL SPACER
PSTRS 02



PRORAIL SPACER
PSTRS 04

PRORAIL SPACER - CROSS SPACER with removable flaps
polypropylene - Pack 100 Pcs

Article	thickness (mm)	Pc/Pack		
PSTRS 02	2	100		
PSTRS 04	4	100		



ANTI-ROTATION CLIP - Pack 40 Pcs

Article	Pc/Pack		
PSTCAR	40		

FIXING WITH PRORAIL JOIST:

Prosupport tube/slim + Prorail + Prorail spacer + Prorail rubber



FIXING WITH RING AND PRORAIL JOIST:

Prosupport tube/slim + Prorail ring + Prorail + Prorail spacer + Prorail rubber



FIXING WITH RING AND PRORAIL RET SMOOTH JOIST :

Prosupport tube/slim + Prorail ring + Prorail ret

