

PROSKIRTING GILED is an innovative profile in silver anodized aluminum and polished chrome, with 80 and 100 mm height, with a rigid vinyl resin TOP PROFILE, with a 17,5mm exposed surface, available in 9 different marmorised finishes, provided with an integrated LED lighting system generating a soft and indirect light. **PROSKIRTING GILED** can be used instead of the classic skirting board or rotated 180 degrees and installed along the ceiling edges, allowing to cover up to 15mm wide joints. The reflection of the LED light by the aluminum surface of the profile creates a modern atmosphere. **PROSKIRTING GILED** is equipped with all the trim pieces available such as inside and outside corner, joints, end caps and power supply box. *Conceived and designed by the designer Gilberto Toneguzzi.*

PROSKIRTING GILED

ANODIZED ALUMINIUM
POLISHED ALUMINIUM



SKIRTING H 80 mm IN ANOD. SILVER, POLI. CHROME ALUM.
TOP PROFILE NOT INCLUDED (indicate the article)
thermo packed - bar length 2 lm - pack. 20 Pcs - 40 lm

Article	H mm
PKGLEDAA 80	80
PKGLEDBC 80	80
PKGLEDAA 80A	80
PKGLEDBC 80A	80
PKGLEDAA 80F	80
PKGLEDBC 80F	80

"F" at the end of the product code = Punched Item

USE PROBAND FIX FOR FIXING THE PROFILE TO THE WALL



(PAGE 324)

TOP PROFILE IN PVC - bar length 2 lm

Article
TOPPKGL...

In the order specify the chosen colour of the TOP PROFILE.
E.g. TOPPKGL... (colour gold) TOPPKGLMBO.

Specify the chosen colour of the PVC TOP PROFILE (see below).

PVC TOP PROFILE COLOURS



On demand may be realised in other finishes of the colour chart. Contact our customer service for minimum quantity, timing and price.

SKIRTING COLOURS



SKIRTING H 100 mm IN ANOD. SILVER, POLI. CHROME ALUM.
TOP PROFILE NOT INCLUDED (indicate the article)
thermo packed - bar length 2 lm - pack. 20 Pcs - 40 lm

Article	H mm
PKGLEDAA 100	100
PKGLEDBC 100	100
PKGLEDAA 100A	100
PKGLEDBC 100A	100
PKGLEDAA 100F	100
PKGLEDBC 100F	100

"A" at the end of the product code = Item with adhesive

"F" at the end of the product code = Punched Item

ADHESIVE FLEXIBLE LED COIL

length 5 lm - pack. 1 ROLL

Article
LEDN
LEDF
LEDC

"N" at the end of the product code = neutral light

"F" at the end of the product code = cold light

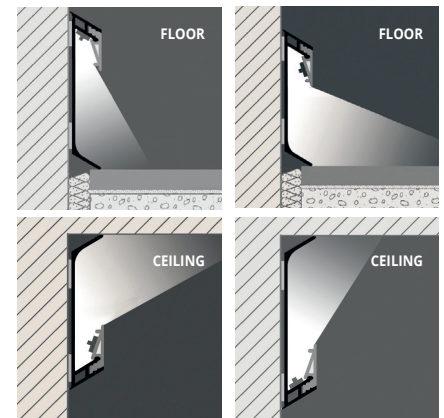
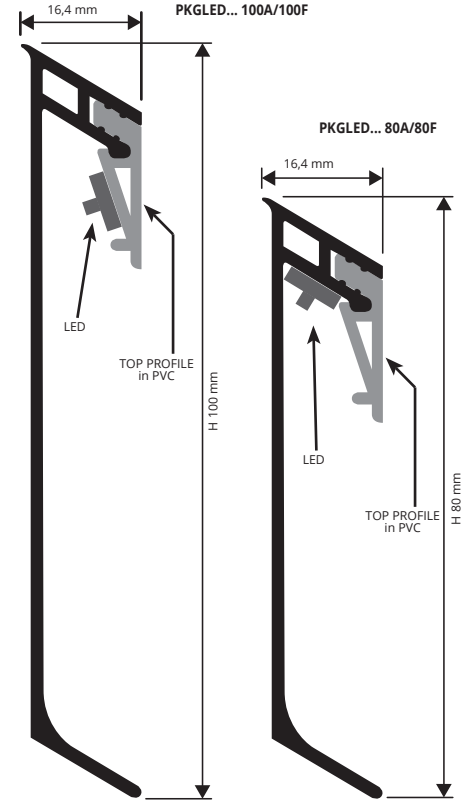
"C" at the end of the product code = hot light

LED ADAPTOR AC/DC 75W - 12V (15 lm)
LED ADAPTOR AC/DC 25W - 12V (5 lm)

Article
ALL 7512
ALL 2512

EXAMPLES AND INSTRUCTIONS FOR LAYING METHODS

1. Choose "PROSKIRTING GILED" depending on the desired finish and fixing system; 2. If you are installing the version with adhesive: clean the surface on which the profile is to be laid, ensuring that it is dry. Remove the protective film and place the profile, applying adequate pressure on it. If you are installing the punched version, drill the surface on which the profile is to be laid using a drill with 5mm diameter and insert the 5x 25mm screws. Screw the profile; 3. Connect the 12/24 V adaptor; 4. Fix the LED light to the inclined side of the aluminum profile or to the vinyl resin support and install electrical wiring; 5. Apply the rigid vinyl resin insert to the aluminum profile.



CORNERS, END CAPS and JOINTS

VARNISHED PLASTIC

FLUSH CORNERS - varnished plastic

IN/EXTERNAL CORNER - FLUSH CORNERS
VARNISHED PLASTIC ANOD. SILVER, POLI. CHROME - pack. 5 Pcs

Article	H x L mm
REPKGLEDAA 80/5	80 x 10
RIPKGLEDAA 80/5	80 x 10
REPKGLEDBC 80/5	80 x 10
RIPKGLEDBC 80/5	80 x 10

FLUSH JOINT - VARNISHED PLASTIC ANOD. SILVER, POLI. CHROME
pack. 5 Pcs

Article	H mm
GIPKGLEDAA 80/5	80
GIPKGLEDBC 80/5	80

FLUSH END CAPS R / L - VARNISHED PLASTIC ANOD. SILVER, POLI. CHROME - pack. 6 Pcs (3 right and 3 left)

Article	H mm
TPKGLEDAA 80/3	80
TPKGLEDBC 80/3	80

FLUSH CORNERS - varnished plastic

IN/EXTERNAL CORNER - FLUSH CORNERS
VARNISHED PLASTIC ANOD. SILVER, POLI. CHROME - pack. 5 Pcs

Article	H x L mm
REPKGLEDAA 100/5	100 x 10
RIPKGLEDAA 100/5	100 x 10
REPKGLEDBC 100/5	100 x 10
RIPKGLEDBC 100/5	100 x 10

FLUSH JOINT - VARNISHED PLASTIC ANOD. SILVER, POLI. CHROME
pack. 5 Pcs

Article	H mm
GIPKGLEDAA 100/5	100
GIPKGLEDBC 100/5	100

FLUSH END CAPS R / L - VARNISHED PLASTIC ANOD. SILVER, POLI. CHROME - pack. 6 Pcs (3 right and 3 left)

Article	H mm
TPKGLEDAA 100/3	100
TPKGLEDBC 100/3	100

INTERNAL CORNER
RIPKGLED... 80/100



EXTERNAL CORNER
REPKGLED... 80/100



JOINT
GIPKGLED... 80/100



END CAPS
TPKGLED... 80/100



* = Production on demand with minimum quantity of 100 Pcs. Production delay 4/5 weeks. Price to be agreed