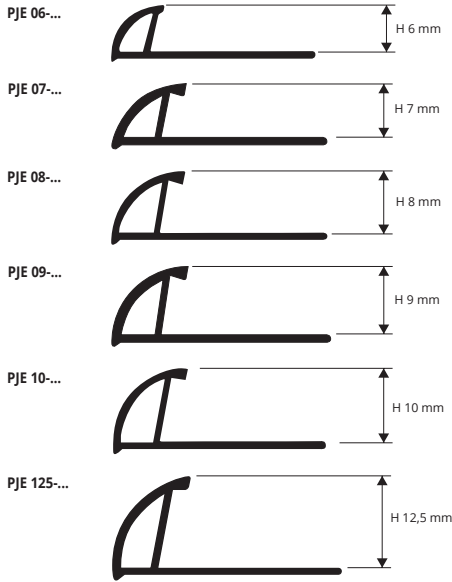


PROJOLLY ECO

SHOCKPROOF NON - TOXIC
COLORED VINYL RESIN

PROJOLLY ECO is a rounded bead profile in shockproof non - toxic colored vinyl resin that can be applied on external corners of coverings. It can be used to close the perimeter of coverings. Its particular section, the availability of different colours also on demand and special pieces such as internal and external corners make **PROJOLLY ECO** a practical and economic profile. It can be easily matched with the wall covering and allows an elegant workmanlike application.



COLOURED VINYL RESIN

bar length 2,7 lm - pack. 80 Pcs - 216 lm

Article	H mm		
PJE 06-01/06/18	6		*
PJE 08-...	8		
PJE 10-...	10		
PJE 125-...	12,5		

ARTICLES NOT FOR SALE SINGLY

H 6 mm available the colours 01 - 06 - 18, other colours on demand. Available on demand in the colours 01 - 02 - 03 - 04 - 05 - 06 - 07 - 08 - 09 - 10 - 11 - 12 - 13 - 14 - 15 - 16 - 17 - 18 (0106 - 19 - 20 - 21 - 22 - 23 - 24 - 25 - 26 - 27 - 28 - 29 with a minimum quantity order of 800 pcs. The code of the selected colour must be added to the article code. E.g.: PJE 08... (chosen colour white) PJE 08-01.

COLOURED VINYL RESIN

bar length 2,7 lm - pack. 80 Pcs - 216 lm

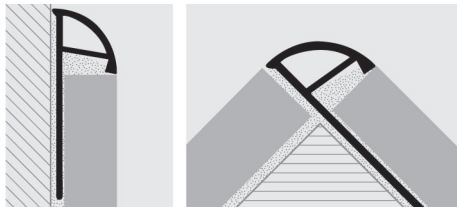
Article	H mm		
PJE 07-...	7		*
PJE 09-...	9		*

ARTICLES NOT FOR SALE SINGLY

PRODUCTION ON DEMAND
MINIMUM QUANTITY 800 PCS BY COLOUR AND HEIGHT
(Production delay 4/5 weeks)

Available on demand in the colours: 01 - 02 - 03 - 04 - 05 - 06 - 07 - 08 - 09 - 10 - 11 - 12 - 13 - 14 - 15 - 16 - 17 - 18 - 19 - 20 - 21 - 22 - 23 - 24 - 25 - 26 - 27 - 28 - 29 - 0106 with a minimum quantity order of 800 pcs. The code of the selected colour must be added to the article code. E.g.: PJE 07... (chosen colour white) PJE 07-01.

EXAMPLES AND INSTRUCTIONS FOR LAYING METHODS



1. Choose "PROJOLLY ECO" according to the tile thickness and desired colour. 2. Cut "PROJOLLY ECO" to the desired length and apply the adhesive on the support where the profile will be laid. 3. Press the anchoring flange of "PROJOLLY ECO" into the adhesive. 4. Lay the tiles, aligning them with the profile leaving a 2 mm joint. 5. Fill the joints between the profile and the tiles with grout, in order to avoid water stagnation.

COLOURS

01 - White	02 - Light grey	03 - Cement gray	04 - Light beige	05 - Dark beige
06 - Ivory	08 - Sky blue	09 - Yellow	11 - Black	12 - Silver
13 - Gold	15 - Brown	16 - Blue	17 - Bahama beige	18 - Grey

AVAILABLE MINIMUM QUANTITY 800 PCS by colour and height

(Price to be agreed. Production delay 4/5 weeks)

0106 - White ivory	07 - Pink	10 - Red	14 - Green
19 - Beige	20 - Dark ivory	21 - Light pink	22 - Dark pink
23 - Dark antique pink	24 - Dark sky blue	25 - Brick red	26 - Turquoise green
27 - Dark green	28 - Hazel brown	29 - Dak brown	

CAPSULES for three-ways joints

COLOURED PLASTIC

* Capsules & end caps of the on demand profiles are also on demand



EXTERNAL CAPSULES



CPJE .../.../...

COLOURED PLASTIC

Article	H mm		
CPJE 06-01/06/18/...	6		
CPJE 08-.../.../...	8		
CPJE 10-.../.../...	10		
CPJE 125-.../.../...	12,5		

ARTICLES NOT FOR SALE SINGLY

H 6 mm available the colours 01 - 06 - 18, other colours on demand. Available in the colours: 01 - 02 - 03 - 04 - 05 - 06 - 07 - 08 - 09 - 10 - 11 - 12 - 13 - 14 - 15 - 16 - 17 - 18 (not available 0106 - 19-20-21-22-23-24-25-26-27-28-29). The code of the selected colour must be added to the article code. E.g.: CPJE 08-.../.../... (chosen colour white) CPJE 08-01/20.

* = Production on demand with minimum quantity of 800 pcs. Production delay 4/5 weeks. Price to be agreed